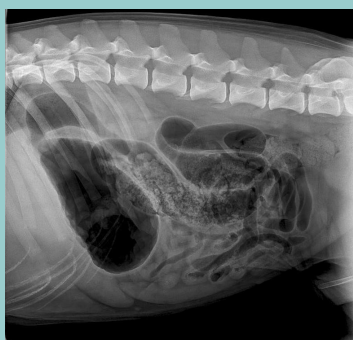


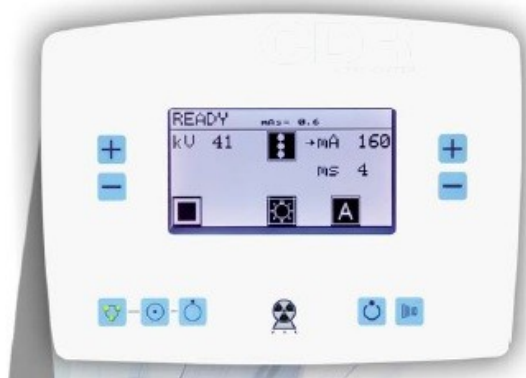
X-Ray Verachttert Digital nv

Radiografiesysteem

Hoogfrequent generator 32kW 1F 230V - 12A



*Maximum 125kV 425mA
Vermogen 32 kW
Dubbel focus 0,6 en 1,3 mm
Stopcontact 16 Amp 230 Volt*



X-Ray Verachttert Digital nv

Bisschoppenhoflaan 662
2100 Deurne

Telefoon: +32 (0)3 239 05 79

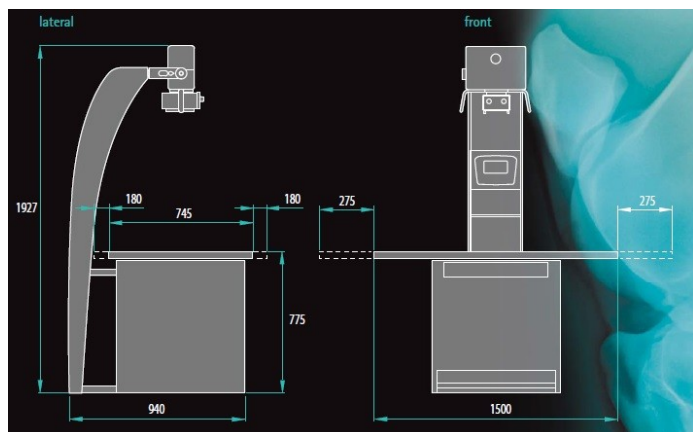
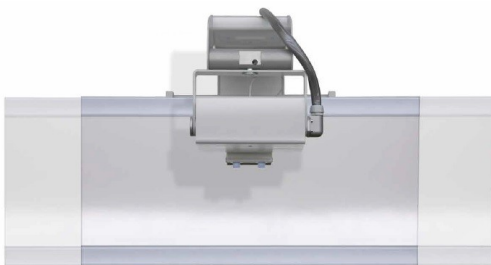
Fax: +32 (0)3 218 50 61

E-mail: info@xrayverachttert.be

www.xrayverachttert.be

TECHNICAL FEATURES

power	32 kW
frequency	100 kHz
ripple	< 3%
total filtration	> 2.7mm Al
type of inverter	HF1 100
type of monoblock	E 100 R HF
monoblock max voltage kV	99kV (125 kV optional)
monoblock max current mA	425 mA
monoblock thermic capacity	375 KJ
monobl. continuous thermal dissipation	40W
double focal spot size	0.6 mm - 1.3 mm
variation kV	steps 1kV
maximum mAs	100 mAs (24 steps)(220 mAs optional): 0,2 / 0,5 / 0,8 / 1 / 1,3 / 1,8 / 2 / 2,5 / 3,2 / 4 / 5 / 6,3 / 8 / 10 / 13 / 16 / 20 / 25 / 32 / 40 / 50 / 63 / 80 / 100 / 130 / 160 / 200 / 220
note	the combinations between mA and kV are automatically controlled by a microprocessor so that there are always 32 kW output with the large focus and 11kW with a little focus compatibly with the mAs required
operating methods	two-points radiological technique with selection of kV/mAs, or three points radiological technique with selection of kV/mA/mS. The values and the exposure time are always selected and displayed, automatically by the microprocessor, on the touch screen display before each exposure
anatomical techniques	up to 240 examinations can be programmed and recalled. Programming by means of the alphanumerical keypad on the touch screen allows both the name (es. chest-abdomen etc.) and the parameters (kV and mAs) to be entered
operating and control table	user interface with touch screen display, which includes an alpha numerical keypad to enter the types of examination to put into the memory and the keypad for entering the patient data to be printed in case of a d.a.p. room. The dose is displayed directly on the touch screen (d.a.p. room and printer are optionals)
automatic closedown	the unit is fitted with an automatic closedown system after 30 minutes of not being used. This features prevent the unit from remaining on by mistake for long periods thereby avoiding jeopardising the x-ray tube operation (focuses always on)
preset for d.a.p. camera	present
preset for a potter bucky	present
preset for a.e.c. system	includes software and electronic interfacing card for control and selection of the chambers, sensitivity and fine shading correction. The a.e.c. system can be integrated with the 240 examinations already stored
automatic exposure control (optional)	
x-ray pushbutton	foot switch with double click and extensible cable
power supply voltage	single-phase 230Vac. maximum consumption: 12A. Any power socket can be used. In fact, the system operates with a capacitor bank to store energy. The microprocessor automatically selects the two charging levels of the capacitor bank. The first level allows most radiographic to be carried out with a reduced charge of the capacitors. The second level is only selected when the examination requires full power of the apparatus



X-Ray Verachtert Digital nv

Bisschoppenhoflaan 662
2100 Deurne

Telefoon: +32 (0)3 239 05 79

Fax: +32 (0)3 218 50 61

E-mail: info@xrayverachtert.be

www.xrayverachtert.be